



TEXTILE TENSIONING FRAME

M-TEX FRAME

M-TEX Frame is a natural (silver) anodised aluminium profile, the perfect solution to tension your textile for display projects. M-TEX Frame can be wall-mounted as a single sided display and double sided displays. The double sided displays, the frame can either be suspended or free standing. Suitable for airport graphics, showrooms, POP/POS displays, interior design applications and general signage (indoors).

The M-TEX frame is suitable for textiles only.

Profiles available:

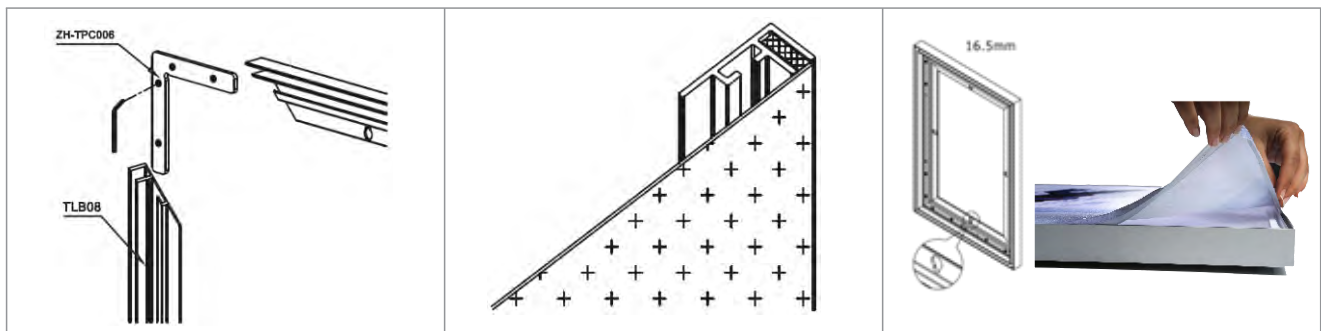
- TLB08 - Entry level (16.5mm), single sided, wall mounting
- TLB09 - Larger Tensioning Frame (30.5mm), single sided, wall mounting
- TLB02 - Double sided, suspended or free standing

M-TEX FRAME TLB08

Entry level (16.5mm) Single sided - wall mounting

ALTTLB08	ALTTPC006	ALTSS001
M-TEX Frame Profile SS WM 16.5/35S	M-TEX Frame Corners for TLB08/09 (set of 4)	M-TEX Frame Silicone Strip (Quantity = m of profile used)

To assemble TLB08:

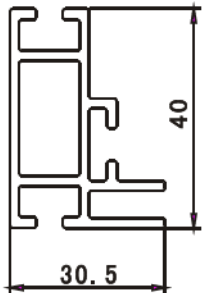
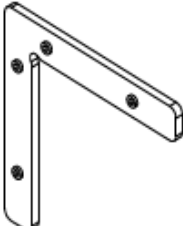





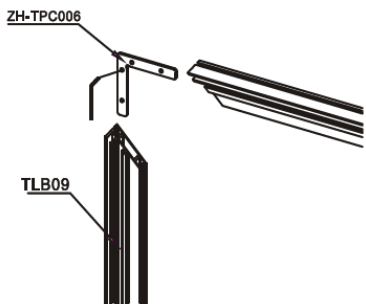
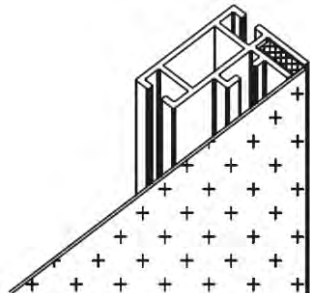

POINT OF SALE PRODUCTS

M-TEX FRAME TLB09

Larger Tensioning Frame (30.5mm) Single Sided - wall mounting

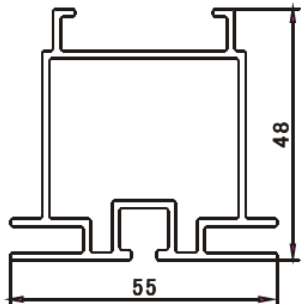
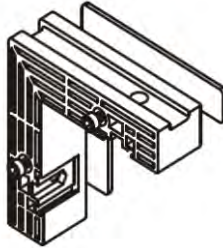
ALTTLB09	ALTTPC006	ALTSS001
		
<p>M-Tex Frame Profile SS WM 30.5/40S</p>	<p>M-Tex Frame Corners for TLB08/09 (set of 4)</p>	<p>M-Tex Frame Silicone Strip (Quantity = m of profile used)</p>

To assemble TLB09:

		
--	--	--



M-TEX FRAME TLB02

Double sided, can be suspended or free standing

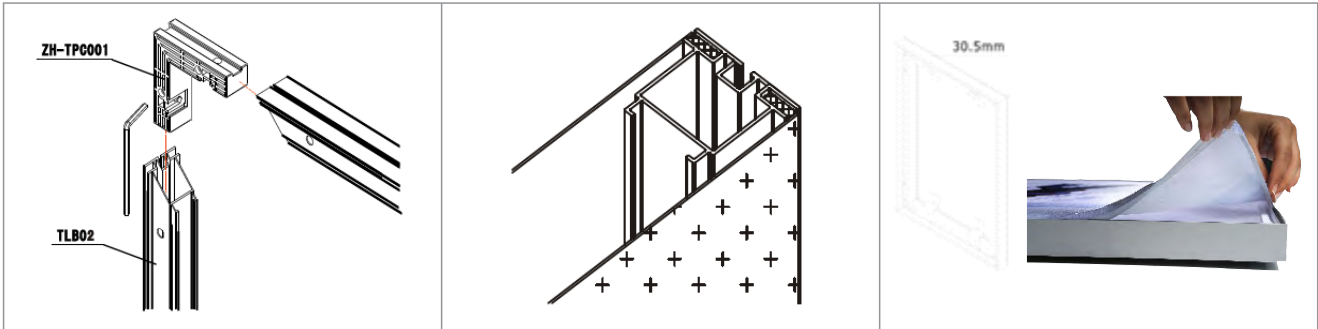
ALTTLB02	ALTTPC001
	
<p>M-Tex Frame Profile DS 55/48S</p>	<p>M-Tex Frame Corners for TLB02 (set of 4)</p>



POINT OF SALE PRODUCTS

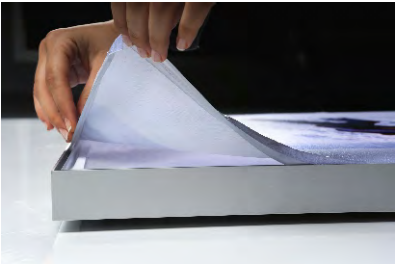
ALTTPC004	ALTSS001
	
M-Tex Frame join for TLB02 (set of 2)	M-Tex Frame Silicone Strip (Quantity = 2 x m of profile used)

To assemble TLB02:



M-TEX FRAME SILICONE

Apply to textile for insertion into the M-Tex Frame

ALTSS001	Quantity required per frame
	TLB08 and TLB09 <ul style="list-style-type: none"> Quantity = m of profile used TBL02 <ul style="list-style-type: none"> Quantity = 2 x m of profile used
M-Tex Frame Silicone Strip	